

Product Brochure For C860

ER25 Collet Set - 15 Piece

Collet Range Ø1 - Ø16mm

"Made in Taiwan"

Ex GST
\$270.00

Inc GST
\$297.00

ORDER CODE:	C860
Type:	ER25
Pieces in Set (No.):	15
Collet Range:	2-1, 3-2, 4-3, 5-4 & 6-5, 7-6, 8-7, 9-8 & 10-9, 11-10, 12-11 & 13-12, 14-13, 15-14 & 16-15mm



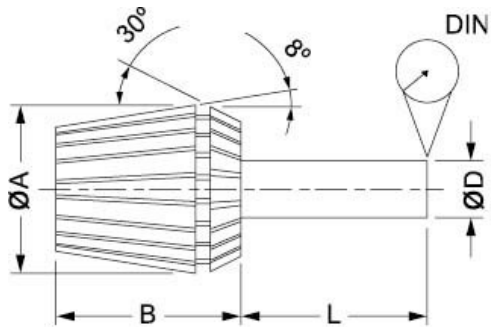
Description

Note: Sets do not include spanner

Features

- Packaged in a wooden case

Product Brochure For C860



Collet	A	B	L	DIN	RANGE (D)
ER11	11.5	18	6	0.02	0.5-7.0
ER16	17	27	10	0.02	0.5-10.0
ER20	21	31	16	0.02	1.0-13.0
ER25	26	35	25	0.02	1.0-16.0
ER32	33	40	40	0.02	2.0-20.0
ER40	41	46	50	0.03	3.0-26.0

Installation Guide - Please see downloads for full details

1.

2.

3.

