

Product Brochure For C723

## 4 Jaw Self Centring Lathe Chuck - K12-160

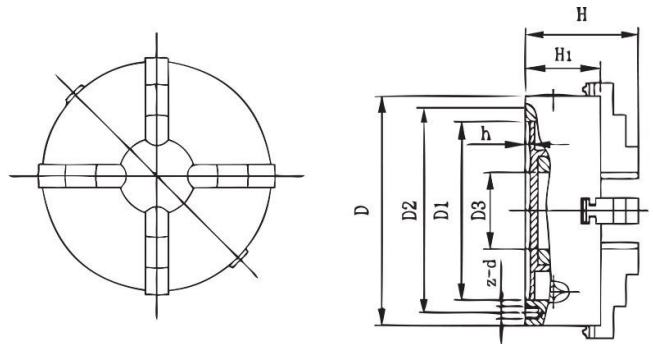
Ø160mm

**Ex GST**  
**\$250.00**

**Inc GST**  
**\$275.00**



ORDER CODE:	C723
Size (mm):	Ø160
Outside Jaw (mm):	3 - 55
Inside Jaw (mm):	55 - 145
Speed (rpm):	2500
D1 (mm):	130
D2 (mm):	142
D3 (bore) (mm):	45
H (mm):	95
H1 (mm):	65
h (mm):	5
z-d (mm):	3-M8
Nett Weight (kg):	8.7



### Description

160mm 4-JAW SELF-CENTRING LATHE CHUCK  
 Manufactured from cast iron.  
 Available only in back mount.

### Includes

- 1 x set of outside hard jaws
- 1 x set of inside hard jaws
- 1 x key
- 1 x set of mounting screws

Product Brochure For C723

**Specific Features**



Back Plate Mount



Included Accessories



Front View

**Recommended Accessories**

L287  
 D1-4 Camlock Back Plate



L2875  
 D1-5 Camlock Back Plate



L289  
 D1-6 Camlock Back Plate



L286  
 D1-8 Camlock Back Plate



L2884  
 D1-11 Camlock Back Plate



C2863  
 Chuck Key

