

Product Brochure For C0034

## FC-1250 - Forged Steel F-Clamp

120mm Throat Depth, 500mm Clamping Capacity  
 T-Bar Handle



**Ex GST**  
**\$45.00**

**Inc GST**  
**\$49.50**

ORDER CODE:	C0034
MODEL:	FC-1250
Type:	T-Bar Handle
Clamping Capacity:	500mm
Locking Handle - Pivot Movement:	~
Clamp Bar - Pivot Movement:	~
Plunger Travel (mm):	~
Throat Depth (mm):	120mm
Opening (mm):	500mm
Size:	10.6 x 22
Quantity Per Pack (No.):	~
Clamping Force (kg):	370kg
Over all Length (mm):	~
Nett Weight (kg):	1.69



### Description

Featuring drop forged steel construction for superior strength & rigidity making them virtually unbreakable. Manufactured with precision controlled hardening and tempering processes over the whole clamp body giving strength for high clamping force along with chrome plating treatment for high corrosion resistance.

Product Brochure For C0034

Specific Features



Full Range

Recommended Accessories

W112  
 Micro Welding Steel Clamp Set



W113  
 Butt Welding Aluminium & Steel Clamp Set



C0010  
 Ratchet F Clamp



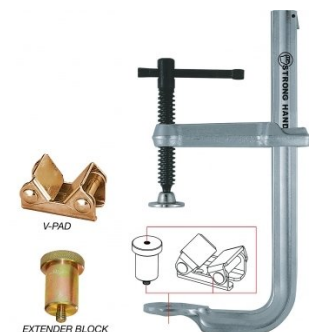
C0012  
 Ratchet F Clamp



C0013  
 Ratchet F Clamp



W1025  
 4 In One Utility Clamping System



W1026  
 4 In One Utility Clamping System



W1027  
 4 In One Utility Clamping System



Product Brochure For C0034

**W1003**  
 ROGUE™ PROBAN® Welding Jacket



**W1005**  
 Snake Magnet & Spring Clamp



**W1007**  
 Adjust-O Magnet Square - Heavy Duty



**W1012**  
 Adjustable Corner Clamping Plier Set



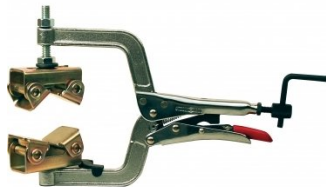
**W1013**  
 Corner Clamping Plier



**W1019**  
 Corner Clamp



**W1014**  
 Pipe Plier - Large



**W1015**  
 Pipe Plier



**W1016**  
 Locking C-Clamp - Round Tip



**W1017**  
 Locking C-Clamp - Swivel Tip



**W1018**  
 Locking C-Clamp - Swivel Tip



**W1020**  
 Magnetic Level



Product Brochure For C0034

---

W1022

MagTab Magnet

W1023

MagTab AL Magnet

