

T64415 - BuildPro Eccentric Pad

0-82.5mm Adjust. Range
 17.5mm offset

On Sale

Ex GST

\$12.00

\$10.00

Inc GST

\$13.20

\$11.00



BuildPro™



ORDER CODE:	W08026
MODEL:	T64415
Type:	BuildPro & Eccentric Pad
Table Height with Stand (mm):	~
Suits Table Size:	~
Material Finish:	~
Clamping Capacity:	~
Locking Handle - Pivot Movement:	~
Clamp Bar - Pivot Movement:	~
Plunger Travel (mm):	~
Throat Depth (mm):	~
Opening (mm):	~
Size:	0-82.5mm Adjust. Range
Size:	~
Quantity Per Pack (No.):	~
Thread:	~
Number of Holes (No.):	~
Slot Length (mm):	~
Magnet Clamp Angle (deg):	~
Pull Force (kg):	~
Clamping Force (kg):	~
Suits:	~
Over all Length:	~
Nett Weight (kg):	0.23

Description

Using the "CAM" design principle, the Eccentric Pad provide a quick way to position the edge of the workpiece to a locating stop. The 360° rotation allows infinite adjustments.

Ideal for locating odd shape parts where conventional edge stops cannot reach.

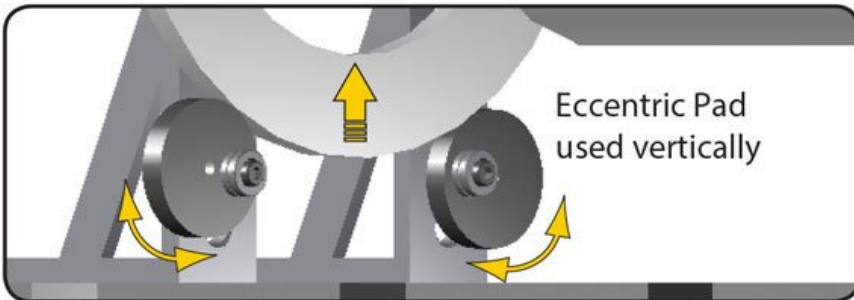
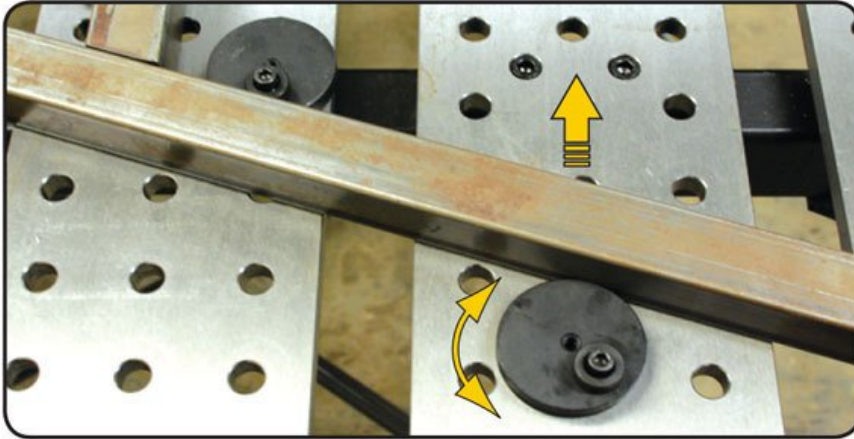
- Eccentric Pads can be mounted vertically or horizontally, at any height.
- Eccentric Pads can rotate 360° to position, locate, or stop a workpiece, at the edge, at a specific location.
- Eccentric Pads can locate or stop stock of varying shapes, and is especially useful for stopping round stock.

The very practical, modular design of the BuildPro® Table makes it easy to set-up and tear down for job at hand, big or small. Save time and money by holding, positioning and locating quickly and easily with a wide variety of BuildPro® clamps and accessories.

All BuildPro® Tables have 16mm thick steel plate with 16mm holes in a 50mm grid pattern. All tables, except BuildPro® MAX, have 40mm slots between plates.

Features

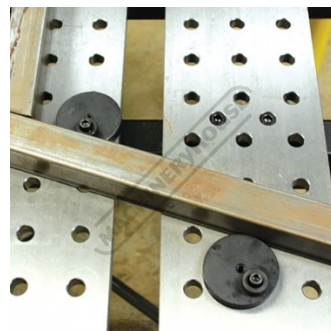
- Ø63.5mm overall Diameter
- * Eccentric Pads are 12.7 mm thick. Hole Diameter: Ø16 mm



Specific Features



Eccentric Pads can be mounted vertically or horizontally at any height



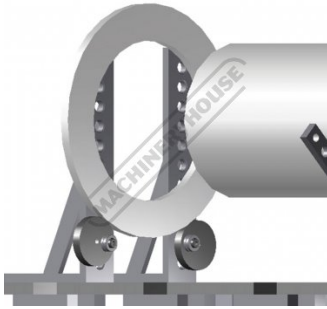
Eccentric Pads can rotate 360 degrees to position locate or stop a workpiece at the edge at a specific location



Eccentric Pads can locate or stop stock of varying shapes and is especially useful for stopping round stock



Hold round parts in a vertical position



Eccentric Pad used vertically

Recommended Accessories

W08000
 BuildPro Rest Button



W08001
 BuildPro Inserta Stop



W08010
 BuildPro V-Block



W08014
 BuildPro V-Block



W08016
 BuildPro Aluminium V-Block



W08012
 BuildPro V-Block Spacer



W08024
 BuildPro Eccentric Pad



W08020
 BuildPro Magnetic Plug / Rest Button



Product Brochure For W08026

sales@machineryhouse.com.au
www.machineryhouse.com.au

W08028

BuildPro Sliding Channel Base

W08029

BuildPro Sliding Channel Base

W08030

BuildPro Magnetic Rest Button

W07771

BuildPro Channel Block Kit

