

Product Brochure For W07705

## 66 Piece - Rhino Cart Mobile Fixturing Station - TDQ612075-K1

1200 x 750 x 910mm (LxWxH)

Ø16mm Holes

**On Sale**

Ex GST

Inc GST

**\$3,190.00**

**\$3,509.00**

**\$2,890.00**

**\$3,179.00**



ORDER CODE:	W07705
MODEL:	TDQ612075-K1
Table Top Finish (Type):	Nitrided Black Oxide
Table Top Size (mm):	1200 x 750
Table Height (mm):	910
Table Side Height (mm):	~
Top Plate Thickness (mm):	16
Grid Pattern (mm):	50 x 50
Table Hole Diameter (Ø):	16
Table Slots (mm):	~
Static Load Capacity (kg):	700
Total W.L.L. (kg):	~
Number of Legs (No.):	~
Nett Weight (kg):	195



### Description

The Rhino Cart Mobile Fixturing Station is a turnkey system for fixturing and clamping in welding and fabrication. Clamp and fixture at any point on the reversible, flat, nitrided (heat treated) 1200 x 750mm tabletop for accuracy in all of your setups.

Accurately fit-up and hold work pieces for tacking and welding with the Rhino Cart package, including: The Rhino Cart Welding Table + 66 piece Fixture Kit. Rhino Package Part No.: TDQ612075-K1

16mm thick steel plate reversible tabletop with nitrided black oxide protective finish for wear, rust and weld spatter resistance. Accurately position parts in CNC precision bored 16mm diameter holes in 50 x 50mm spacing pattern

### Features

- Tabletop Life: Nitrided and black oxide table plate is reversible. Weld spatter, rust and scratch resistant.
- Tabletop Size: 1200 x 750mm
- Tabletop Thickness: 16mm
- Hole Diameter: Ø16mm
- Grid Pattern: 50 x 50mm
- Table Height: 910mm
- Static Loading Capacity: 700kg
- Package Net Weight: 195kg
- 2 x fixed & 2 x swivel brake caster wheels
- Levelling feet for mobile or stationary use
- Rhino shelves, racks and pegboard keep your fixing tools organised and within easy reach!

### Includes

- 1 x TDQ612075 - 1200 x 750 x 910mm Welding table cart
- 10 x T65055 - Ball lock bolt, adjustable range: 24 ~ 28mm
- 2 x T64201 - Ø16mm locating pin
- 2 x PT07K - Inserta pliers, 60mm opening, Max. 50mm reach
- 2 x PT09K - Inserta pliers, 85mm opening, Max. 75mm reach
- 2 x UDN6150 - Inserta clamp, 150mm opening, 83mm reach, 16 x 8mm (D Rail), T-handle
- 2 x T64217 - Magnetic top V pads for inserta pliers and inserta clamps
- 2 x TCX6210 - Side clamp, 38mm stroke

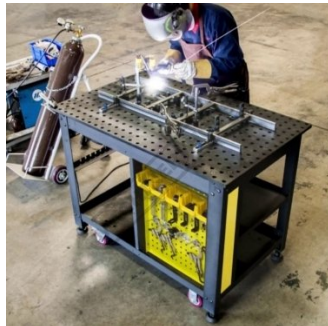
Product Brochure For W07705

- 4 x T64203 - Stop, Ø25 x 38mm
- 4 x T64205 - Stop, Ø25 x 50mm
- 8 x T64216 - V-Block, Ø40 x 23mm
- 4 x T64211 - V-Block spacer, Ø40 x 27mm
- 8 x T60630 - D-Stop bar, 120 x 25 x 11.5mm
- 12 x T50737 - Magnetic rest button, Ø40 x 11.5mm
- 2 x T60304 - Right angle bracket, 41 x 91 x 30mm
- 2 x T60305 - Right angle bracket, 91 x 91 x 30mm
- 1 x Backing panel with square holes to suits hooks & holders
- 5 x Plastic buckets
- 1 x Bucket holder
- 10 x Single prong hooks
- 5 x Double prong hooks

Specific Features



Accessories Included



Shown In Use



Shown with Accessories



Right Low View



Left View



Left Low View



Front View



Left Side View



Rear Right View



Rear Left View

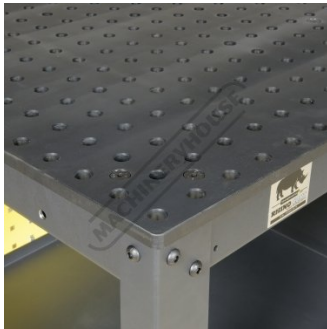


Nitrided and Black Oxide Table Plate is Reversible

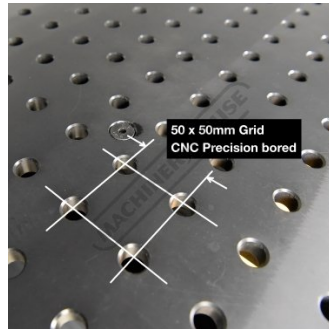


16mm Thick Table Top

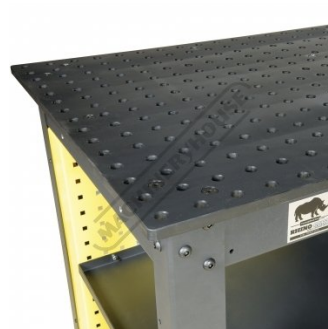
Product Brochure For W07705



16mm Hole Diameter Table Top



50 x 50mm Grid Pattern



910mm Table Top Height



Weld Spatter Rust and Scratch Resistant



Push Handle



Storage Rack for Clamps



Storage Rack for Clamps Rear View



Pegboard with Accessories



Pegboard Panel for Storing Clamps and Accessories



2 x Fixed Caster Wheels



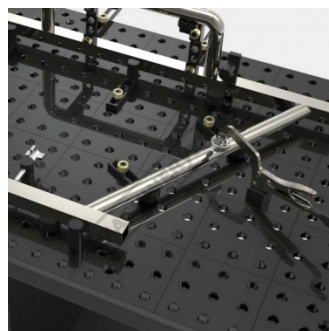
2 x Swivel Brake Caster Wheels



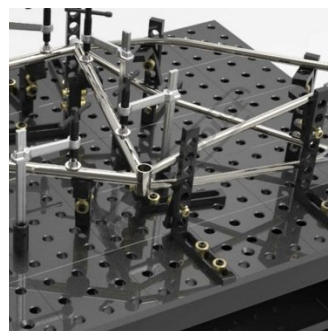
Leveling Feet



Inserta Clamp



Inserta Pliers



Right Angle Brackets

Product Brochure For W07705

**Recommended Accessories**

**W07757**  
 Plasma Cutting Tray



**W08012**  
 BuildPro V-Block Spacer



**W08005**  
 BuildPro Adjustable Rest - Low Profile



**W08015**  
 BuildPro 120° V-Pad



**W08180**  
 Modular Pipe & Tube Notcher



**W08111**  
 BuildPro Malleable Cast Iron Clamping Square



**W08110**  
 BuildPro Malleable Cast Iron Clamping Square



**W08048**  
 BuildPro Adjustable Ball Lock Bolt



Product Brochure For W07705

**W119**  
Anti-Spatter Spray



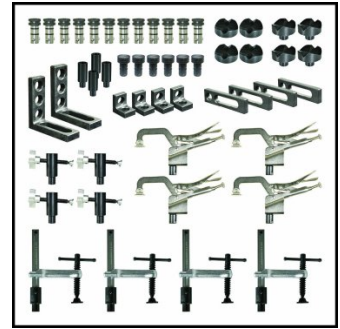
**W07900**  
Steel Cleaning Brush



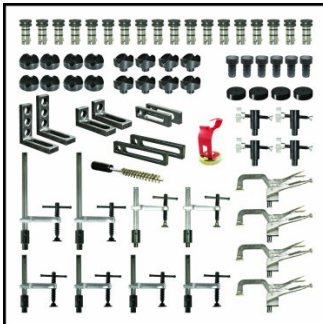
**W07820**  
Table & Accessory Lifting Kit



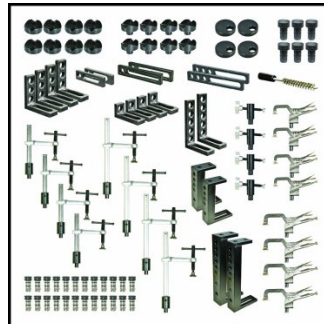
**W07814**  
52pc Pro Series Welding Table Clamp Kit



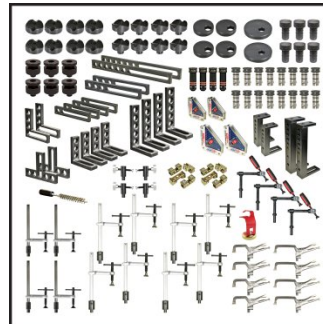
**W07815**  
70pc Pro Series Welding Table Clamp Kit



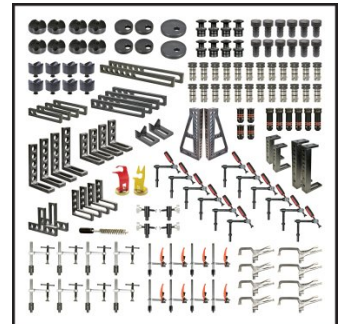
**W07816**  
93pc Pro Series Welding Table Clamp Kit



**W07817**  
120pc Pro Series Welding Table Clamp Kit



**W07818**  
151pc Pro Series Welding Table Clamp Kit



**W08506**  
Magnetic Cross Type 90 / 135° V-Pad (4 Piece Pack)



**W08507**  
Cross Type 90 / 135° V-Pad (4 Piece Pack)



**W07880**  
Cross Type 90 / 120° V-Pad



**W07885**  
130° V-Pad



Product Brochure For W07705

**W07884**  
 90° V-Square Support



**W08505**  
 12mm x Ø38mm Magnetic Rest Pad - 4pc Pack



**W08513**  
 25mm x M12 Multi-Purpose Riser/Stops (Spigot Type) - 4pc Pack



**W08515**  
 38mm x M12 Multi-Purpose Riser/Stops (Spigot Type) - 4pc Pack



**W08517**  
 50mm x M12 Multi-Purpose Riser/Stops (Spigot Type) - 4pc Pack



**W08503**  
 Adjustable Rest Pad - 2pc Pack



**W07887**  
 50mm Eccentric Pad



**W07888**  
 75mm Eccentric Pad



**W08504**  
 Locating Pin 16 x 40mm



**W07899**  
 Magnetic Plug Pin 16 x 12mm



**W07897**  
 Double Countersink Lock Pin 16 x 24mm



**W07895**  
 Countersink Ball Lock Pin 16 x 24mm



Product Brochure For W07705

**W07890**  
 Ball Lock Pin 16 x 18mm



**W07891**  
 Ball Lock Pin 16 x 24mm



**W07892**  
 Ball Lock Pin 16 x 28mm



**W07893**  
 Ball Lock Pin 16 x 36mm



**W07862**  
 Straight Bar Stop



**W07863**  
 Straight Bar Stop



**W07864**  
 Straight Bar Stop



**W07866**  
 Straight Bar Stop



**W07840**  
 Right Angle Bracket / Stop



**W07841**  
 Right Angle Bracket / Stop



**W07844**  
 Right Angle Bracket / Stop



**W07845**  
 Right Angle Bracket / Stop



Product Brochure For W07705

W07853

L Bracket



W07855

L Bracket



W07857

T Bracket



W07858

T Bracket



W07846

Clamping Square



W07847

Clamping Square



W07848

Clamping Square



W07850

Angle Bracket Set



W07851

Angle Bracket Set



W07852

Angle Bracket Set



W07868

Half Block



W07869

Half Block



Product Brochure For W07705

W07870  
 Riser Block



W07875  
 Riser Block



W07877  
 Riser Block



W07836  
 Welding Table Rapid Clamp



W07837  
 Welding Table Rapid Clamp



W07839  
 Welding Table Rapid Clamp



W08508  
 50mm Side Clamp (2 Piece Pack)



W08520  
 Adjustable Welding Table Clamp (2 Piece Pack)



W07826  
 Universal Tilting Welding Table Clamp



W07834  
 Ratchet Welding Table Clamp



W07835  
 Ratchet Welding Table Clamp



W07829  
 Welding Table Clamp



Product Brochure For W07705

W07831  
 Welding Table Clamp



W07830  
 Welding Table Clamp



W07832  
 Welding Table Clamp



W07833  
 Welding Table Clamp



W1081  
 Multi Angle Corner Magnets -  
 2pc Pack



W1082  
 Multi Angle Corner Magnets -  
 2pc Pack



W1085  
 Switchable Multi-Angle Welding  
 Magnet



W1086  
 Switchable Multi-Angle Welding  
 Magnet



W1071  
 Switchable Multi-Angle Welding  
 Magnet



W1072  
 Switchable Multi-Angle Welding  
 Magnet



W1091  
 Magnetic Swivel V-Pad Clamps



W10361  
 Magnetic TIG Torch Rest



Product Brochure For W07705

W10362  
Magnetic MIG Torch Rest



W112  
Micro Welding Steel Clamp Set



W113  
Butt Welding Aluminium & Steel  
Clamp Set

