

HF-140 - Drill Press Vice

140mm Jaw Width
 140mm Jaw Opening

Ex GST
\$200.00

Inc GST
\$220.00

ORDER CODE:	V155
MODEL:	HF-140
Type:	Heavy Duty Drill Vice
Jaw Width (mm):	140
Jaw Opening (mm):	140
Jaw Depth (mm):	~
Nett Weight (kg):	18

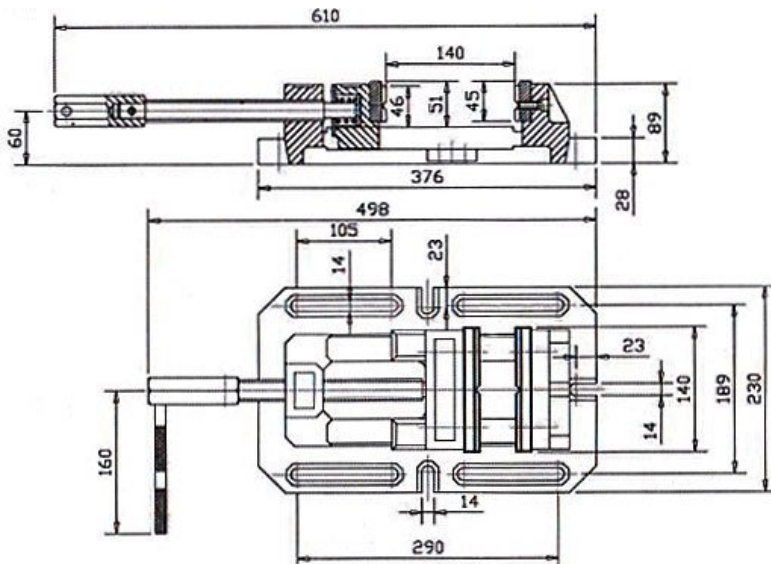


Description

Heavy duty drill vice

Features

- Hardened Prismatic Jaws



Product Brochure For V155

sales@machineryhouse.com.au
www.machineryhouse.com.au

Recommended Accessories

V0532

Aluminium Magnetic Soft Jaws

V0539

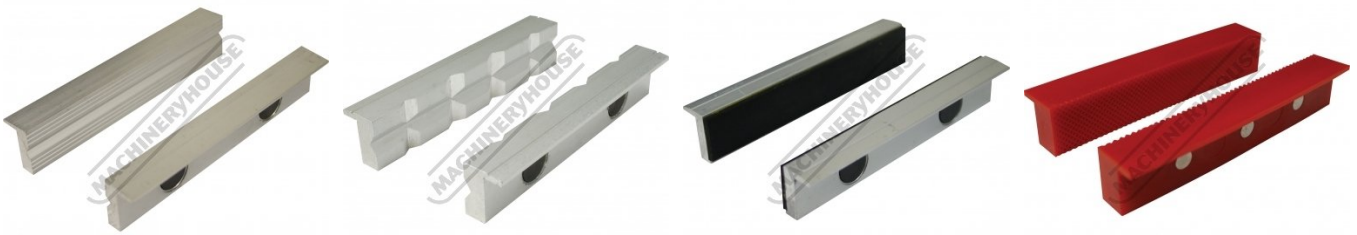
Aluminium Magnetic Soft Jaws

V0536

Aluminium Magnetic Soft Jaws

V0542

Plastic Magnetic Soft Jaws



V0546

Plastic Magnetic Soft Jaws

