

Product Brochure For P980

## BPS-1503 - Industrial CNC Plasma Cutting Table

1700 x 3200mm Cutting Table  
 Please Refer to Table for Specifications

### Please Call



ORDER CODE:	P980
MODEL:	BPS-1503
Cutting Table Capacity (mm):	1700 x 3200
Dynamic Cut Control (DCC):	~
Thickness Cutting Capacity - Mild Steel (mm):	~
Plasma Cutting Unit:	~
Current Output (amp):	~
Duty Cycle (Typical):	~
Fume Management (Type):	~
Cutting Gas (Type):	~
Plasma Unit Input Voltage (V):	~
Plasma Unit Input Amperage (amp):	~
Shipping Dimensions (L x W x H) (cm):	300 x 520 x 180
Nett Weight (kg):	2800



### Description

The BPS has been designed after 5 years of market research and with input from leading design and supplier companies to be the class leader in precision plasma cutting.

The Baykal BPS is the precision flagship of the range plate. Designed for high accuracy plasma cutting the machine can be built in a wide variety of configurations with 2 or more plasmas, bevel cutting, marking devices and even drilling and tapping heads.

#### TRUE HOLE TECHNOLOGY "Full Suite"

Hypertherm's patent-pending True Hole cutting technology for mild steel produces significantly better hole quality than possible using plasma. This is delivered automatically without operator intervention, to produce unmatched hole quality that surpasses the competition.

True Hole Technology requires a HyPerformance Plasma HPRXD® auto gas system along with a True Hole enabled cutting table, nesting software, CNC, and torch height control.

#### Strength and stability:

The BPS has been designed to capitalise on Baykal's skill in fabrication and machining to be the strongest and stiffest machine in its class. This structure guarantees long term accuracy and minimum vibration for the whole of the machine's life. Combined with the precision drive components this means that the machine can give higher quality and accuracy or shorter cycle times for a given quality level.

#### Built for long life and high reliability:

At Baykal we are used to supplying machines which are still in service after 25 years. We believe in building long life machines with quality components from such companies as Hypertherm for the plasma, Yaskawa for the motors, Gudel for rack and pinions, our aim is to ensure maximum service life and minimum downtime but most of all, maximum lifetime return on your investment.

#### High Precision Drive System:

The double side drives are fitted with AC servos and very high precision (3 arc minute) planetary gearboxes. This ensures that the drive system is equal to or better than the highest precision systems available in the market. The unique floating drive arrangement allows constant pinion/rack mesh without the excessive wear or compliance associated with spring or pneumatically loaded backlash compensation systems.

#### Torch Height Control and Crash Protection:

Baykal has also refined the whole torch protection/initial height sensing system. The touch height sensing system is designed to minimise contact forces on the torch and hence improve consumable life, increase accuracy of initial height sensing and shorten the starting cycle.

#### Performance:

The BPS plasma is fitted with much larger drives than many plasma machines which means that the acceleration and traverse speeds

## Product Brochure For P980

sales@machineryhouse.com.au  
www.machineryhouse.com.au

(30m/min) are higher than the industry standard. This translates into shorter cycle times and lower cost parts for you.

### Diagnostics:

In the unlikely event of a machine problem extensive diagnostic tools in the control and plasma allow you to identify the fault and shorten service response times by giving a precise status of the machine and plasma.

### Turnkey System:

As well as the plasma and optional marking systems the machine is supplied with a dust and fume extraction system from Donaldson (England) and class leading programming software from Lantek (Spain). Baykal supports these products directly saving you time and money sourcing support from different manufacturers.

### Packaged fume extraction:

The fume extraction system supplied with the Scimitar is guaranteed to give long reliable service with your plasma cutting system. In the past many plasma machine customers have been caught out by buying cheaper alternative brand systems which were sized for welding or laser cutting applications. These systems do not stand up to the heavy duty plasma workload and require very frequent and time consuming maintenance.

### Leading Edge Software:

Baykal has searched the world for a suitable software package to make it as easy as possible for customers to prepare work for our machines. This package has the most powerful set of programming tools available for drawing parts from scratch or editing CAD drawings. It also has both DXF and BMP import facilities for importing CAD drawings or scanned graphics. Together with text and splining tools it is a powerful package for sign making as well as normal engineering parts.

## Features

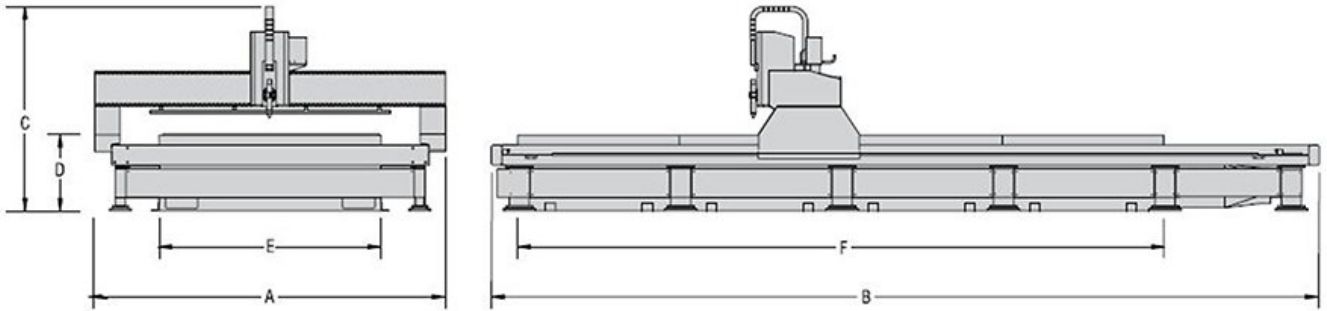
- DESIGN AND OPERATING FEATURES
- High precision plasma cutting technology
- High mechanical accuracy to:  $\pm 0.1\text{mm}$
- Axis positioning speed: 30m/min
- X and Y axis travel on precision linear rail guides
- Torch-height travel with hardened ballscrews on dual linear guides
- Fast and accurate positioning with AC brushless servo motors:
- Y-axis: dual synchronised servo drives
- X-axis: single servo drive
- Cutting table independently constructed of bridge and machine frame to maintain positional accuracy under any table-load
- Patented crash protection on torch®
- Automatic torch height control
- Sectional cutting table with automatic fume extraction system
- Windows® based CNC unit
- Automatic nesting software

## Optional Accessories

- Remote control option on large tables
- Dust and fume collector devices conforming to safety regulations

Product Brochure For P980

sales@machineryhouse.com.au  
www.machineryhouse.com.au



TİPLER TYPES	Kesme Tablası Cutting Table (mm)	Genişlik Width (A) (mm)	Uzunluk Lenght (B) (mm)	Yükseklik Height (C) (mm)	Tabla Yükseklği Table Height (D) (mm)	Tabla Eni Table Width (mm)	Tabla boyu Table Lenght (mm)	X Eksen Strok X Axis Stroke (E) (mm)	Y Eksen Strok Y Axis Stroke (F) (mm)	Ağırlık Weight (kg)
BPS1503_RO	1700 x 3200	3000	5200	1800	750	1700	3200	1700	3200	3000
BPS2003_RO	2200 x 3200	3500	5200	1800	750	2200	3200	2200	3200	4000
BPS2004_RO	2200 x 4800	3500	6200	1800	750	2200	4800	2200	4200	5000
BPS2006_RO	2200 x 6400	3500	8200	1800	750	2200	6400	2200	6200	7000
BPS2009_RO	2200 x 9600	3500	11200	1800	750	2200	9600	2200	9200	9000
BPS2010_RO	2200 x 11200	3500	12200	1800	750	2200	11200	2200	10200	10000
BPS2012_RO	2200 x 12800	3500	14200	1800	750	2200	12800	2200	12200	12000
BPS2014_RO	2200 x 14400	3500	16200	1800	750	2200	14400	2200	14200	14000
BPS2503_RO	2700 x 3200	4000	5200	1800	750	2700	3200	2700	3000	5000
BPS2504_RO	2700 x 4800	4000	6200	1800	750	2700	4800	2700	4200	6000
BPS2506_RO	2700 x 6400	4000	8200	1800	750	2700	6400	2700	6200	8000
BPS2508_RO	2700 x 8800	4000	10200	1800	750	2700	8000	2700	8200	8500
BPS2509_RO	2700 x 9600	4000	11200	1800	750	2700	9600	2700	9200	10000
BPS2510_RO	2700 x 11200	4000	12200	1800	750	2700	11200	2700	10200	11000
BPS2512_RO	2700 x 12800	4000	14200	1800	750	2700	12800	2700	12200	13000
BPS2514_RO	2700 x 14400	4000	16200	1800	750	2700	14400	2700	14200	15000
BPS3003_RO	3200 x 3200	4500	5200	1800	750	3200	3200	3200	3200	6000
BPS3004_RO	3200 x 4800	4500	6200	1800	750	3200	4800	3200	4200	7000
BPS3006_RO	3200 x 6400	4500	8200	1800	750	3200	6400	3200	6200	9000
BPS3009_RO	3200 x 9600	4500	11200	1800	750	3200	9600	3200	9200	11000
BPS3010_RO	3200 x 11200	4500	12200	1800	750	3200	11200	3200	10200	12000
BPS3012_RO	3200 x 12800	4500	14200	1800	750	3200	12800	3200	12200	14000
BPS3014_RO	3200 x 14400	4500	16200	1800	750	3200	14400	3200	14200	16000
BPS4003_RO	4200 x 3200	5500	5200	1800	750	4200	3200	4200	3200	8000
BPS4004_RO	4200 x 4800	5500	6200	1800	750	4200	4800	4200	4200	9000
BPS4006_RO	4200 x 6400	5500	8200	1800	750	4200	6400	4200	6200	11000
BPS4009_RO	4200 x 9600	5500	11200	1800	750	4200	9600	4200	9200	13000
BPS4010_RO	4200 x 11200	5500	12200	1800	750	4200	11200	4200	10200	14000
BPS4012_RO	4200 x 12800	5500	14200	1800	750	4200	12800	4200	12200	16000
BPS4014_RO	4200 x 14400	5500	16200	1800	750	4200	14400	4200	14200	18000

Verilen değerler tekli torch içindir. İki veya daha fazla torch için bilgi alınız. - Data in the table are for single torch. Please ask for double or more torch.

### Specific Features



Plate Cutting



Pipe & Tube Cutting



Finished Parts

### Recommended Accessories

P799

Plasma Water Table Fluid

