

Product Brochure For P9036

## Swiftcut PRO 3000DD - CNC Plasma Cutting Table

3000 x 1500mm Table, Drowndraft System, Hypertherm Powermax 65  
 Cuts up to 16mm Mild Steel Plate

**Ex GST**                      **Inc GST**  
**\$41,900.00**      **\$46,090.00**

|   |                        |
|---|------------------------|
| ORDER CODE:                                   | P9036                  |
| MODEL:  | Swift-Cut 3000DD       |
| Cutting Table Capacity (mm):                  | 3000 x 1500            |
| Dynamic Cut Control (DCC):                    | ~                      |
| Thickness Cutting Capacity - Mild Steel (mm): | 16                     |
| Plasma Cutting Unit:                          | Hypertherm Powermax 65 |
| Current Output (amp):                         | 20 - 65                |
| Duty Cycle (Typical):                         | 50% @ 65A & 100% @ 46A |
| Fume Management (Type):                       | Drowndraft System      |
| Cutting Gas (Type):                           | Air or Nitrogen        |
| Plasma Unit Input Voltage (V):                | 415V with Neutral      |
| Plasma Unit Input Amperage (amp):             | 15                     |
| Shipping Dimensions (L x W x H) (cm):         | 367 x 236 x 150        |
| Nett Weight (kg):                             | 1400                   |



### Description

Cutting area – 3000 x 1500mm

With a 3000 x 1500mm cutting area, the Swift-Cut PRO 3000 is a feature packed plasma cutting table with the ability and power to cut for as long as required. With a robust steel fabricated, fully welded frame and free standing operators console, making it ideal for workshops, metal fabricators, educational establishments, designers and artists.

With gantry parking to allow a full sheet to be loaded overhead and a dropped rail for ease of loading, not to mention the simple on-going maintenance, the Swift-Cut PRO 3000 really is the answer to all your cutting needs.

Our supreme build quality and unique to Swift-Cut operating software allows you to:

- Cut all metals: stainless and mild steel, aluminium, copper, brass, zinc etc.
- Cut thicknesses from 0.5mm to 25mm (Depending on Plasma selected)
- Deliver excellent cut quality

SOFTWARE: Standard Version

- Auto Arc voltage capture and regulation to automatically adjust the cut settings to suit varied material characteristics
- Program recovery function automates starting part way through a program
- Sheet Trim function to easily trim off excess skeleton
- G code browser & editor for the novice operator
- G code favourites – user customised
- DXF, DWG & JPEG photo import function
- 3D part Viewer
- Advanced importer with ability to re-export and save the filtered DXF
- 5 user assigned reference points for jigs and fixtures
- Sheet rotation function
- Automatic lead in / out of cut paths
- Dry run capability for testing prior to cutting
- Parametric shapes library with over 80 shapes
- Automatic cutting consumable recommendations based on material and thickness
- Manual nesting of parts
- Team viewer software for remote support

SOFTWARE: Advanced Version (Optional Extra)

## Product Brochure For P9036

- All of the Standard version features
- Multiple simultaneous DXF import
- Automatic part in part nesting for best sheet utilisation

### Features

- Fully fabricated and welded steel frame
- Downdraft extraction table for efficient control of sparks and fumes (Requires extraction system)
- Dropped rails for ease of loading full sheets
- Gantry parking to allow full sheet to be loaded overhead
- Heavy duty steel construction with durable paint finish
- Linear guideways for fast accurate motion
- High speed axis motors with closed loop feedback (encoder) for accuracy and reliability
- Dual drive Y-axis
- Rack and pinion drive system
- Breakaway head eliminates damage to torch and improves safety
- Laser guide for easy sheet positioning
- Cut metal up to 25mm thick depending on the Hypertherm Powermax unit selected
- Soft sense Digital Torch-Height Control (DTHC) Quick response for improved cut quantity and improved torch consumable life. This unique touch sensing is so soft and accurate even the thinnest sheet metal will not deflect while sensing.
- Dynamic Cut Control (DCC) is available on all Swiftcut PRO machines, This feature enables Software control of cutting amps and air pressure, Error messages, air pressures and critical data from the plasma unit is displayed on Swiftcut control screen for operator convenience, On the fly arc voltage, air pressure and cutting speed control ensures the highest quality cut at all times. INDUSTRY 1st UNIQUE TO SWIFT-CUT

### OPERATORS PANEL:

- Free-Standing Operators Console
- LCD TOUCHSCREEN control monitor
- Built in controller with dual CPU
- Wireless keyboard and mouse
- E-Stop safety button
- External USB port for transfer of files
- Easy access for maintenance

### Optional Accessories

- MACHINE UPGRADES:
- Swift-Marker Unit - Integrated pneumatic marker. Can be used to automatically mark text, fold lines and centre marks on components prior to profiling to avoid costly second operations. Great for part numbering or serial numbering of parts.
- Advanced Swiftcam software upgrade

### Specific Features



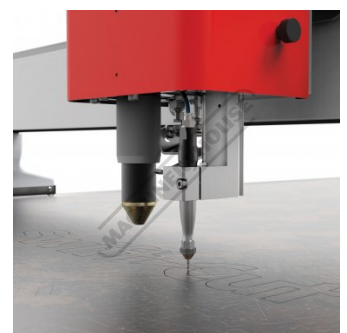
Pro 3m Made In UK



Console



Initial Height Sense



Optional Engraver Shown

Product Brochure For P9036



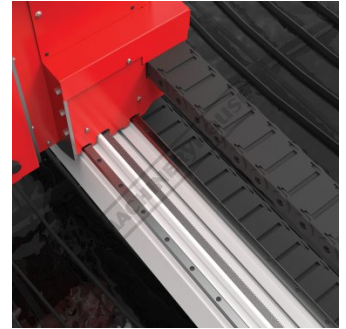
Head Gantry



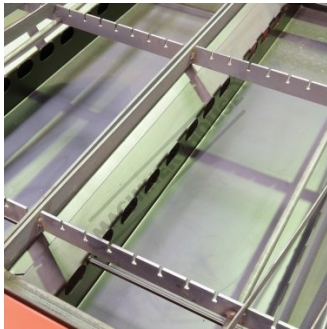
Gantry Safety-Cover



Linear Rail Rack-Side



Side Rail Head



Downdraft Tablet Vent Ports



Downdraft Table Exhaust Chute



Supplied With Powermax65

**Recommended Accessories**

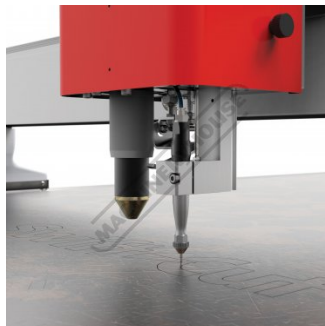
**W2720**  
 Laser & Plasma Machine  
 Filtration System



**P9056**  
 SwiftCAM Advanced Software  
 Upgrade



**P9064**  
 Swift-Marker Pro 2020



**C525**  
 Industrial Pilot Air Compressor



Product Brochure For P9036

**P837**  
 Hypertherm 30-105A Electrode



**P838**  
 Hypertherm 45A Nozzle



**P839**  
 Hypertherm 65A Nozzle



**P842**  
 Hypertherm FineCut Only Nozzle



**P843**  
 Hypertherm 45-85A Swirl Ring



**P845**  
 Hypertherm 45-85A Shield



**P847**  
 Hypertherm 45-105A Deflector



**P848**  
 Hypertherm 65-105A Retaining Cap



**AP0005**  
 Hypertherm O-Ring



**AP0007**  
 Hypertherm O-Ring Lube - Suits all O-Rings



**P8081**  
 Hypertherm Eliminator Filter - Replacement filter element

