

Product Brochure For P8481

## 220953 - Hypertherm Retaining Cap Ohmic

Suits Powermax 45XP/65/85/105  
 (Pack of 1)

**Ex GST**  
**\$68.50**

**Inc GST**  
**\$75.35**

ORDER CODE:	P8481
Part Number:	220953
Suits - Plasma Machine:	Powermax 45XP/65/85/105
Suits - Plasma Torch:	Duramax®
Type:	Retaining Cap Ohmic
Size (mm):	~
Pack Quantity:	1



### Recommended Accessories

P8062  
 Plasma Hand Torch

P9010  
 CNC Plasma Cutting Table

P9011  
 CNC Plasma Cutting Table

P9013  
 CNC Plasma Cutting Table



Product Brochure For P8481

P9020  
CNC Plasma Cutting Table



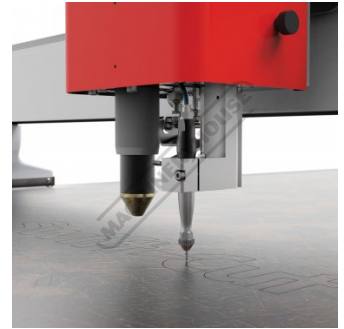
P9021  
CNC Plasma Cutting Table



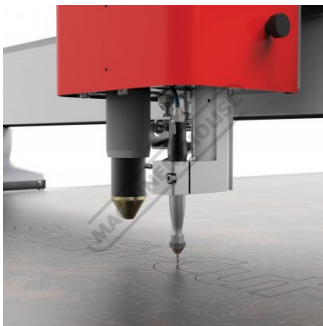
P9023  
CNC Plasma Cutting Table



P9030  
CNC Plasma Cutting Table



P9031  
CNC Plasma Cutting Table



P9033  
CNC Plasma Cutting Table

