

Product Brochure For M972

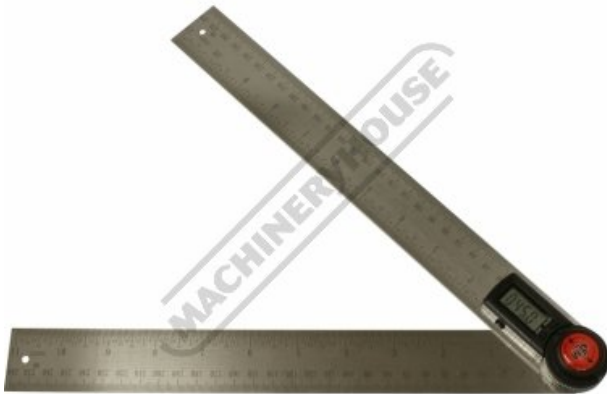
M972 - Digital Angle Rule

280mm

Ex GST
\$40.00

Inc GST
\$44.00

ORDER CODE:	M972
Type:	Angle Rule
Blade Length (mm):	300
Range (deg):	360°
Graduated Scale (mm):	280
Resolution (deg):	~



Description

Precision tool that can measure the angle and length accurately and quickly with a digital readout of the angles. Measure both the angle and length at the same time with a clear display and bold markings in both metric and imperial on the rules. The rules are made from corrosion resistant stainless steel. The battery life is around 200 hours and is protected by auto shut down after 6 minutes. The digital display will auto-start, switch on as soon as you open the rule, saving time and fumbling for a button. A serious tool for any wood working, building, machining and construction industries or setting out tasks.

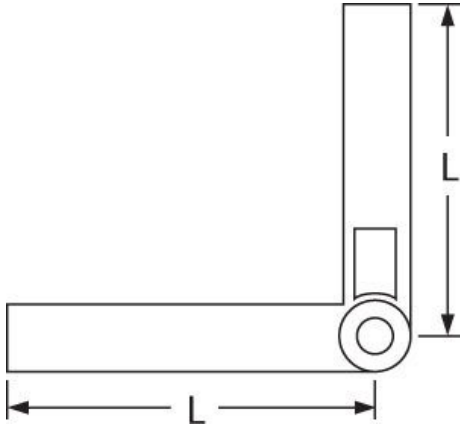
Features

- Measures length, metric and imperial scales
- Calculates angles quickly and accurately, clear digital display
- Easy operation with just two operating buttons
- Quick locking function to transfer angles easily and accurately
- Corrosion resistant stainless steel rules for durability
- Working temperature: 0°C - +50°C
- Resolution: 0.1°
- Accuracy: 0.3°
- Zero button
- 360° range

Includes

- Includes CR2032 battery

Product Brochure For M972



Specific Features



90 degree view



Zero degree view



Screen



Shown Measuring Blade Angle