

Product Brochure For D5211

MK-500-220/5U - Sino Digital Readout Scales

220mm Compact
 5µm

Ex GST
\$160.00

Inc GST
\$176.00



ORDER CODE:	D5211
MODEL:	MK-500-220/5U
Type:	Compact
Travel (mm):	220
Scale Accuracy (µm):	5
Cable Length (Metre):	3
Backing Support Plate (Yes / No):	Yes
Width x Height (W x H) (mm):	~
Overall Length (L) (mm):	~

SINO



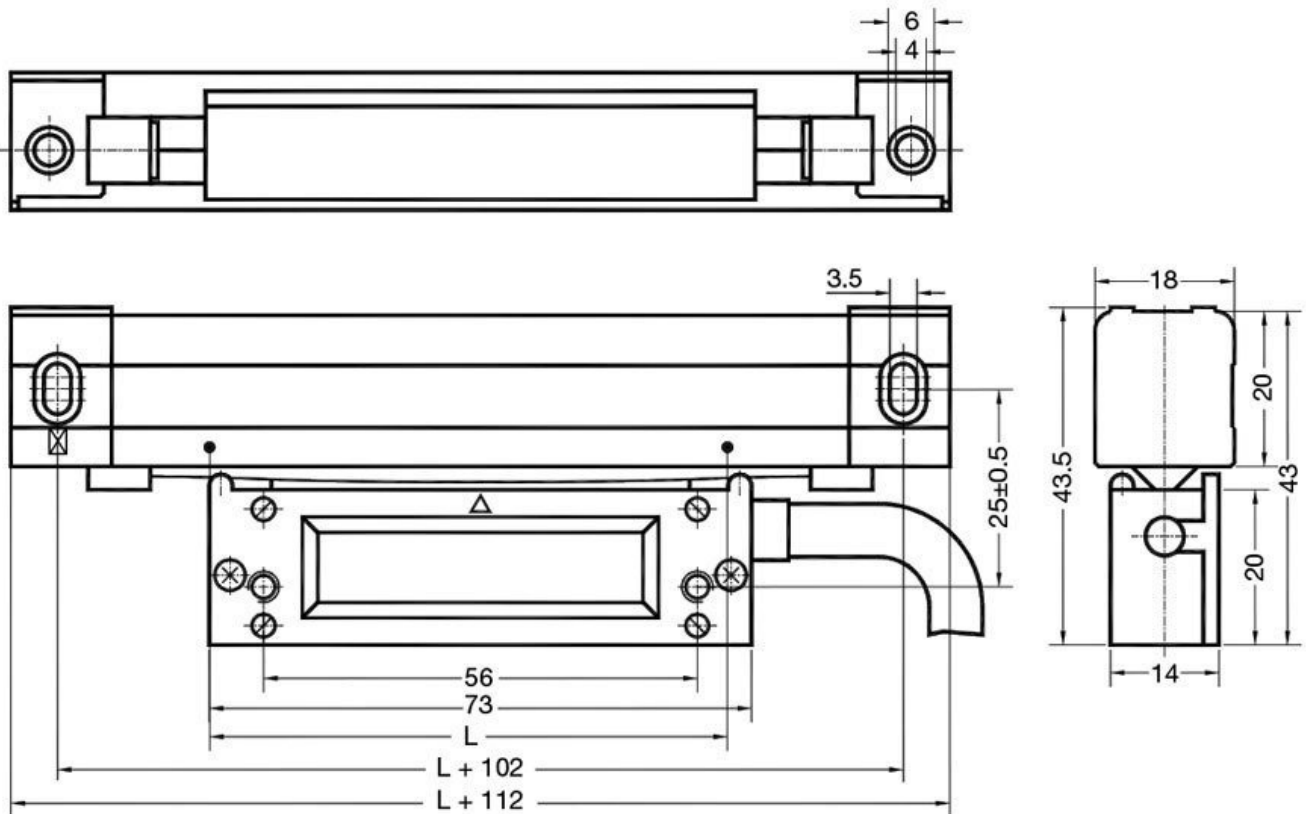
Description

Sino MK series DRO scales offer an affordable low cost solution for your Lathe or Milling machine digital readout requirements. Scales lengths available in a range from 170mm to 1020mm.
 Compact scales available ranging from 170mm to 270mm specially designed to suit X-Axis travels on Lathes.

Features

- Compact body designed for mounting on Lathe X-Axis travels
- Scale body made from extruded aluminium with wiper seals
- Glass scale with 5µm resolution
- 3m connection cable with 9 pin D-Sub connector
- The slide carrier of the MK series scales uses Japanese NSK bearings to provide high precision, low noise and long service life
- Includes mounting backing plate, cover & mounting screws
- An easy-to-follow D.I.Y. Installation Manual is supplied with each system, complete with illustrations and mounting brackets

Sino MK-500 Series Compact Scales



L = Effective measuring length of scale

Specific Features



Shown Assembled



Reader Head



DSub9 Male Plug



Included Parts

Recommended Accessories

D5200
 2-Axis Digital Readout Counter -
 5µm

K5200
 2-Axis Digital Readout Package
 Deal

D5202
 3-Axis Digital Readout Counter -
 5µm

K5202
 3-Axis Digital Readout Package
 Deal

