

Product Brochure For C929A

BT40 x ER32 - Collet & Chuck Set - 20 Piece

Collet Range $\varnothing 3 - \varnothing 20\text{mm}$
 "Made in Taiwan"



Package Deal

Ex GST	Inc GST
\$430.00	\$473.00

Package Contents - SAVE \$60.50 (Inc)

1 x T220 - T220 BT40 x ER32-70 Collet Chuck	\$99.00
1 x C922 - C922 ER32 Collet Set - 18 Piece	\$407.00
1 x C932 - C932 ER32 Collet Chuck Wrench	\$27.50
Normal Price (Inc):	\$533.50

ORDER CODE:	C929A
Chuck Taper:	BT40
Collet Type:	ER32
Number of Collets (No.):	18
Collet Range:	3-2, 4-3, 5-4, 6-5 & 7-6, 8-7, 9-8, 10-9 & 11-10, 12-11, 13-12 & 14-13, 15-14, 16-15 & 17-16, 18-17, 19-18 & 20-19mm
Drawbar Thread:	M16

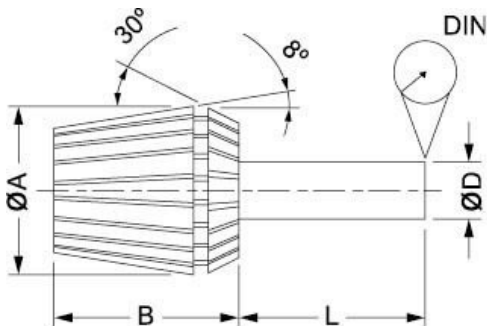


Description

Precision BT40 collet chuck complete with a full set of ER32 collets.

Features

- Includes spanner
- Chuck and collets as listed below
- Blow mould case



Collet	A	B	L	DIN	RANGE (D)
ER11	11.5	18	6	0.02	0.5-7.0
ER16	17	27	10	0.02	0.5-10.0
ER20	21	31	16	0.02	1.0-13.0
ER25	26	35	25	0.02	1.0-16.0
ER32	33	40	40	0.02	2.0-20.0
ER40	41	46	50	0.03	3.0-26.0

Product Brochure For C929A

sales@machineryhouse.com.au
 www.machineryhouse.com.au

Recommended Accessories

C117
 Collet Nut ER32

C932
 ER32 Collet Chuck Wrench

T220
 BT40 x ER32-70 Collet Chuck

C912
 ER32 Collet



T142
 Pull Stud

T144
 Pull Stud

T145
 Pull Stud

T148
 Pull Stud

