

Product Brochure For R010

Vertex Rotary Table - HV-10

Ø254mm



Description

Manufactured in Taiwan

The Vertex Rotary Table has been designed to be used where a precision work positioning device is required. It allows the operator to mill or drill components at exact intervals around a fixed axis. Additional indexing plates can be fitted to allow the Vertex Rotary Table to be used as a Dividing Head. The Vertex Rotary Table can be used in both the horizontal or vertical plane.

Features

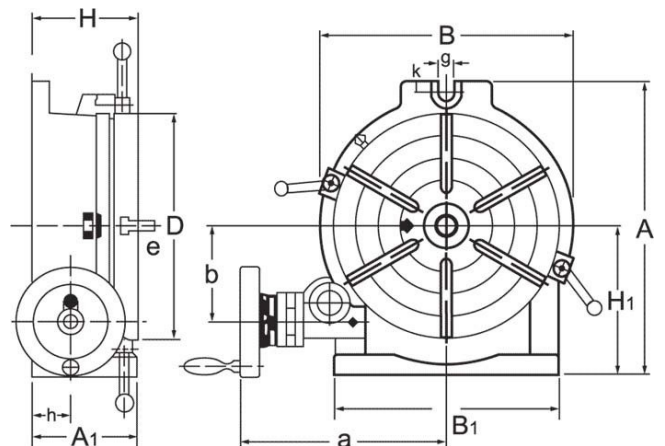
- The Vertex Rotary Table is manufactured from high-density Meehanite cast iron with ground surface areas on the table and body to ensure smooth rotation
- Critical wear parts are hand finished for ultra precision
- All tables are tested for accuracy using 'Heidenhain' electronic equipment to ensure continuing quality
- Worm is hardened and precision ground, with a ratio of 90:1
- Table is graduated to a full 360° so one turn of the handle moves the table 4°
- The collar on the handle is graduated with a vernier scale, readings down to 10 seconds are possible

On Sale

Ex GST
~~\$900.00~~
\$800.00

Inc GST
~~\$990.00~~
\$880.00

ORDER CODE:	R010
MODEL:	HV-10
Size (mm):	254
A1 (mm):	110
D (mm):	250
H (mm):	115
H1 (mm):	165
A (mm):	325
B (mm):	280
e (mm):	14
g (mm):	17
Number of T-Slots (No.):	6
T-Slot Size (mm):	14
Taper In Centre (MT):	3MT
Nett Weight (kg):	40



Product Brochure For R010

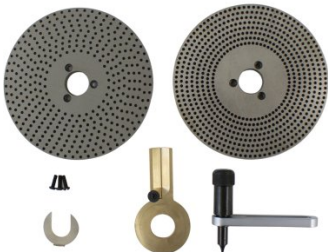
Specific Features



Vertical View

Recommended Accessories

R020
Vertex Dividing Plate



R015
Vertex Tailstock



C281
3 Jaw Self Centring Lathe Chuck



C086
Clamp Kit Tee Nuts



C0965
Clamp Kit 58 piece - Workshop Series

