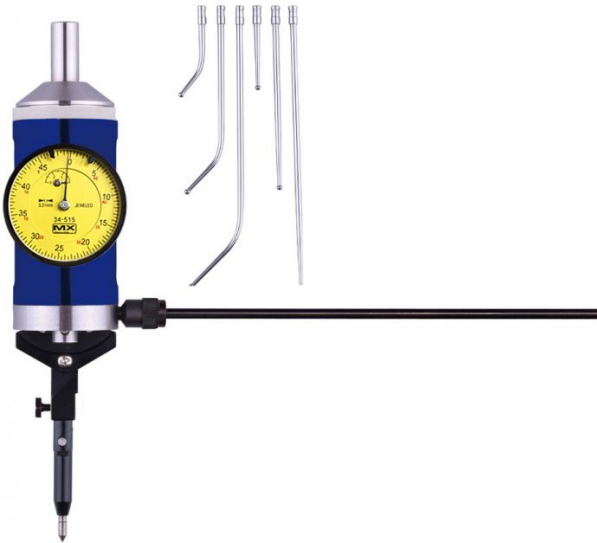


Product Brochure For Q515

Centering Dial Indicator - 34-515

0 - 3mm



Description

Used to locate a work piece center quickly and accurately whilst the indicator faces the operator at all times by way of a restraining arm.

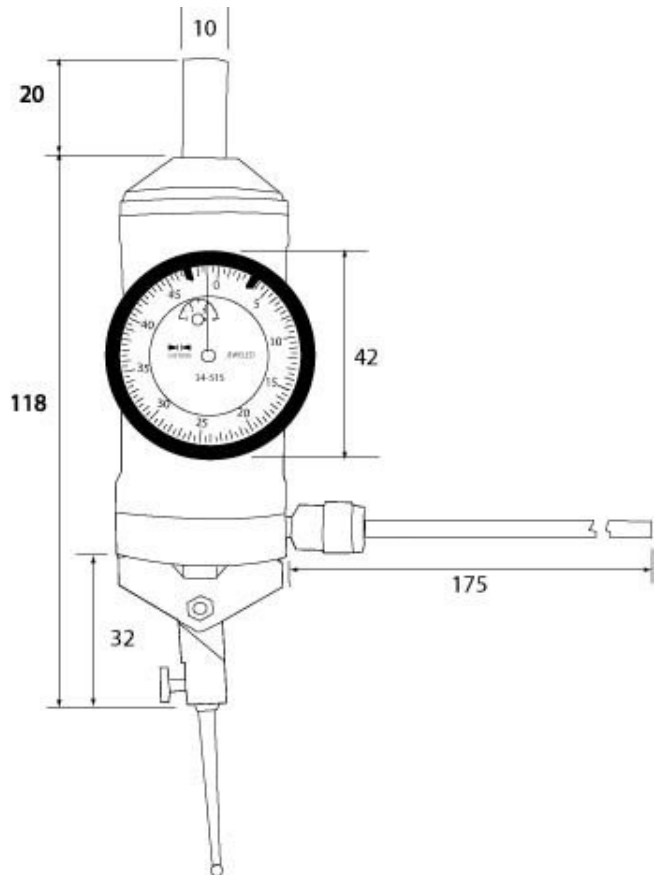
Features

- Quick and accurate centering internal & external
- Operates at any angle from horizontal to vertical
- The dial indicator remains stationary while rotating the spindle manually.
- The set includes 7 stylus probes and a restraining arm.
- Packed in wooden box

On Sale

| | |
|---------------------|---------------------|
| Ex GST | Inc GST |
| \$200.00 | \$220.00 |
| \$170.00 | \$187.00 |

| | |
|---------------------------|--------------|
| ORDER CODE: | Q515 |
| Range (mm): | 0 - 3mm |
| Graduations (mm): | 0.01mm |
| Straight Stylus (mm): | 45, 100, 154 |
| Curved Stylus (mm): | 45, 100, 154 |
| Swivel Point Stylus (mm): | 52.5 |
| Stylus Diameter (mm): | 3 |
| Mount (mm): | 10 |



Product Brochure For Q515

Specific Features



Jeweled Metric Dial



Stylus Shown Attached



Stylus



Centre Dial



Wooden Box